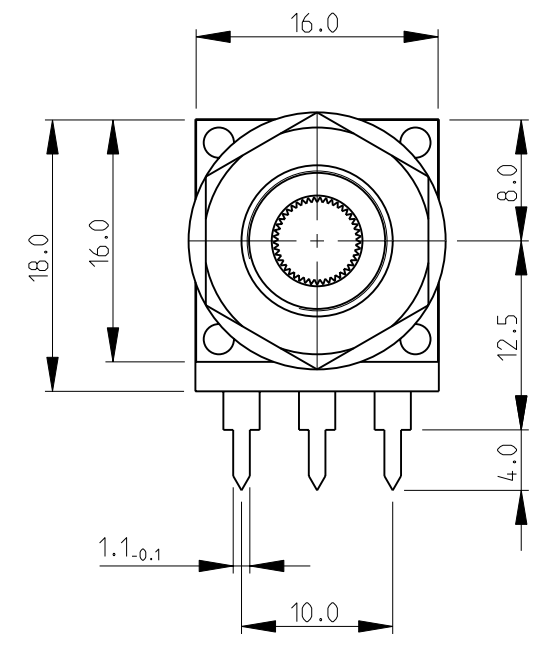
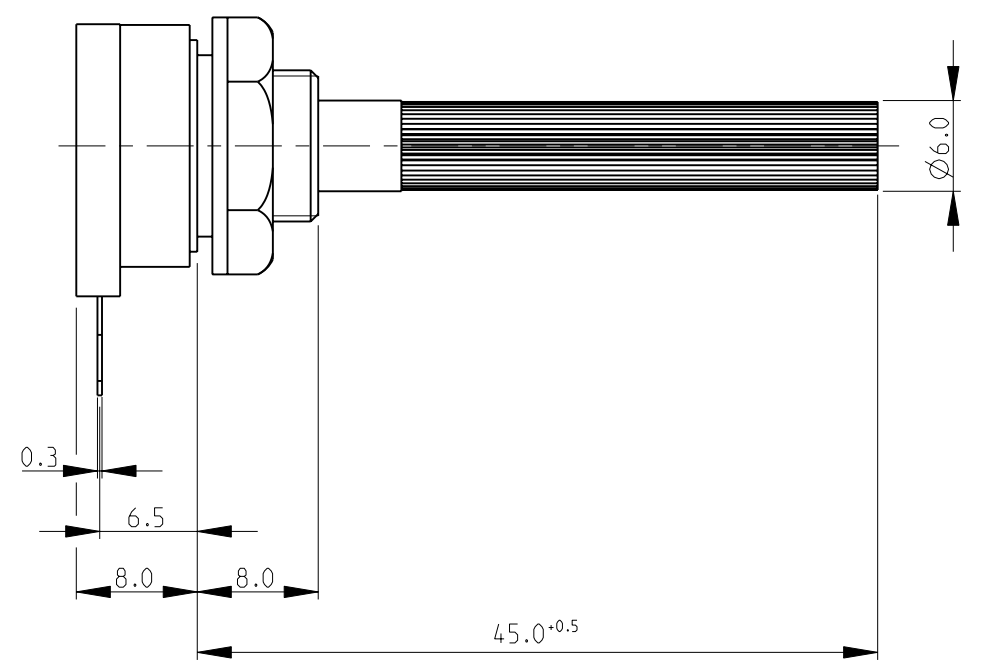


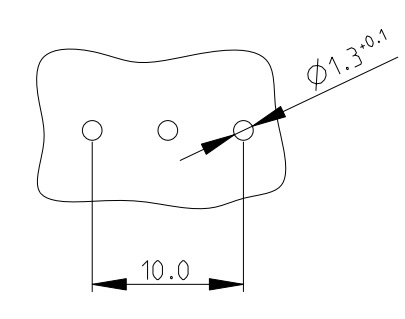
THIS DRAWING IS UNPUBLISHED. RELEASED FOR PUBLICATION 2008
 © COPYRIGHT 2008 BY - ALL RIGHTS RESERVED.

LOC		DIST		REVISIONS			
P	LTR	DESCRIPTION	DATE	DWN	APVD		
BA1		REVISED PER ECO-11-005150	28MAR2011	RK	HMR		

SERIES CP16SH10IP06*

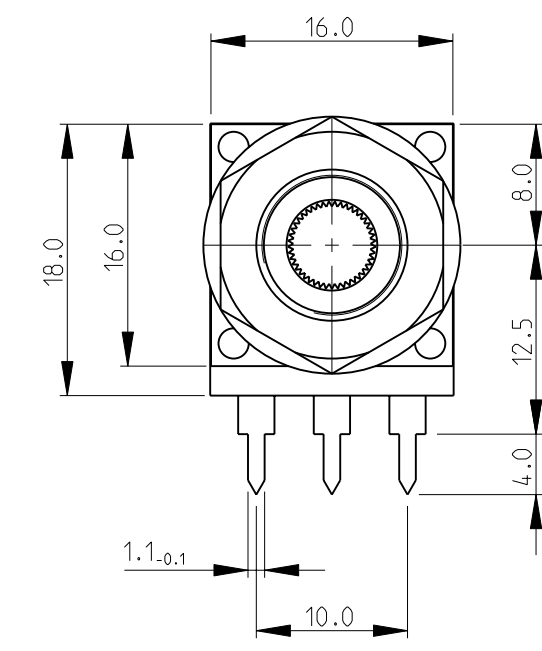
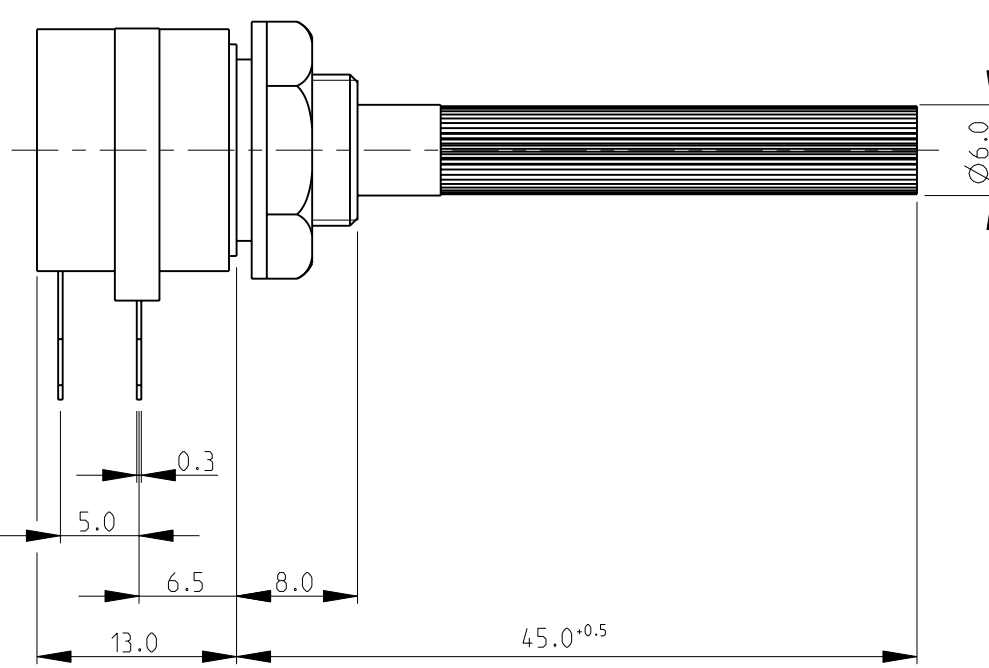


PCB LAYOUT PLAN

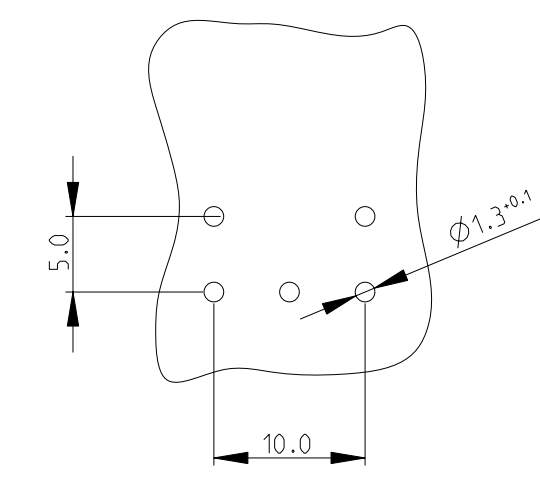


FOR FURTHER INFORMATION SEE DATA SHEET FOR SERIES CP16 - SPINDLE OPERATED POTENTIOMETERS

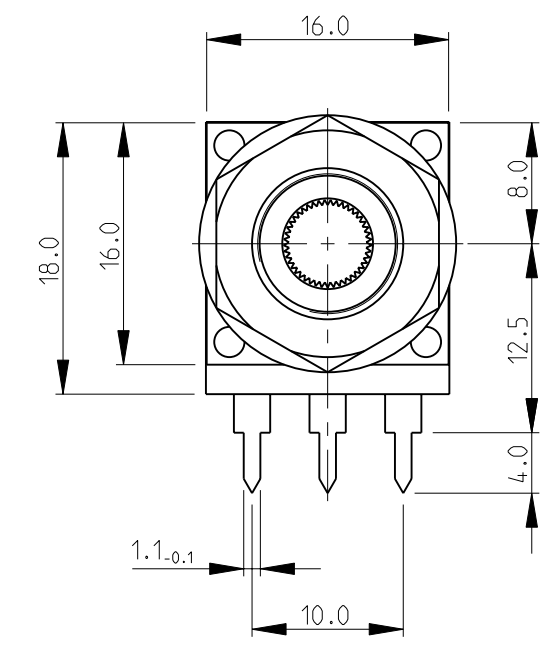
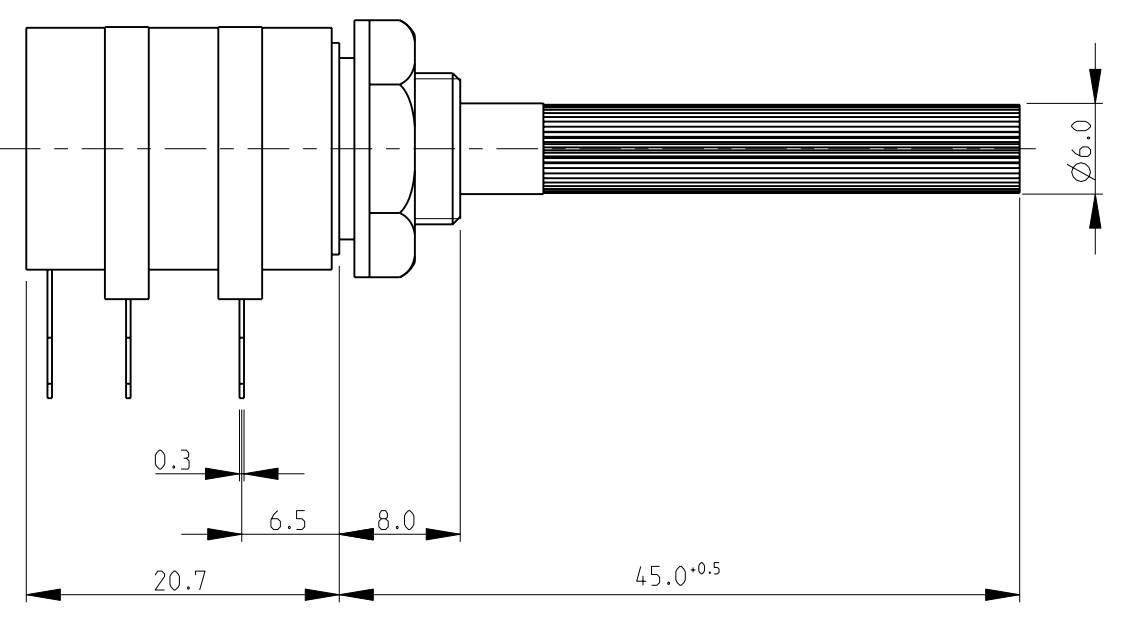
SERIES CP16SH10IP6*....I



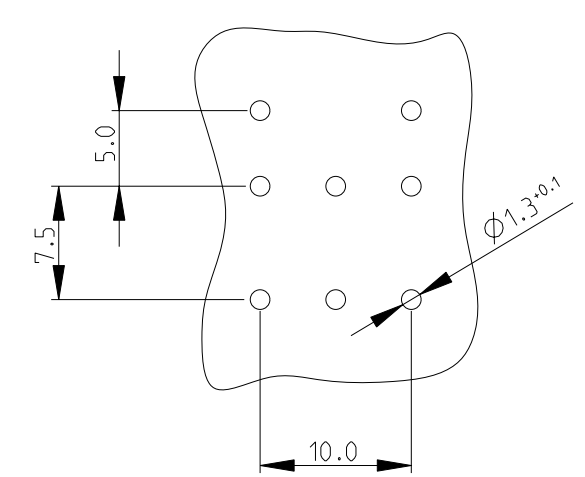
PCB LAYOUT PLAN



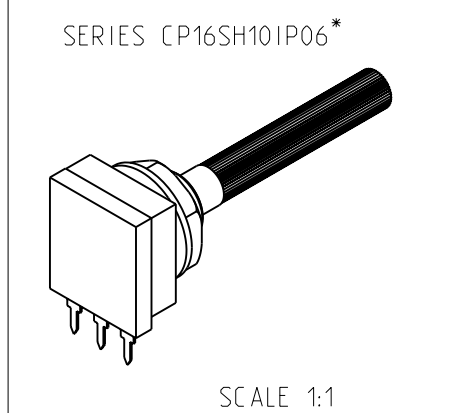
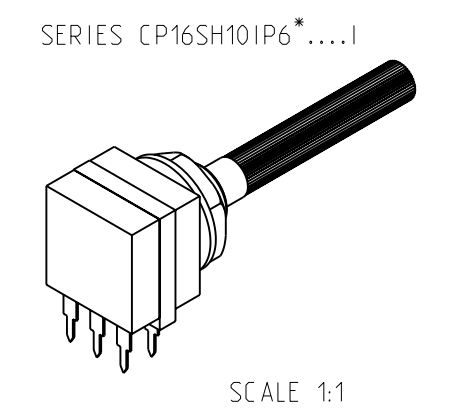
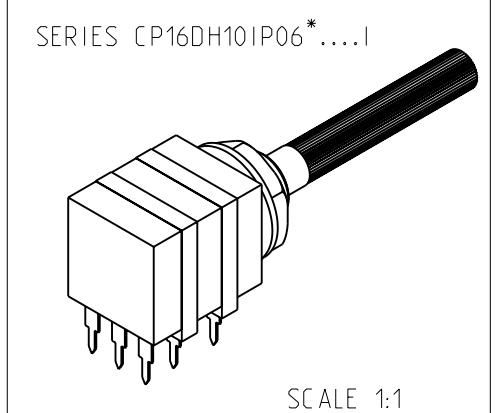
SERIES CP16DH10IP06*....I



PCB LAYOUT PLAN



RoHS Compliant



THIS DRAWING IS A CONTROLLED DOCUMENT.		DWN SUBHASH.M 02-DEC-08	TE Connectivity NAME SPINDLE OPERATED POTENTIOMETER SERIES CP16			
DIMENSIONS: mm		CHK PRAKASH.S 02-DEC-08			SIZE	CAGE CODE
TOLERANCES UNLESS OTHERWISE SPECIFIED:		APVD STEPHEN.P 02-DEC-08			DRAWING NO	RESTRICTED TO
0 PLC ±0.2 1 PLC ±0.1 2 PLC ±0.1 3 PLC ± 4 PLC ± ANGLES ±5° MATERIAL FINISH		PRODUCT SPEC			A2	00779
		APPLICATION SPEC	C= 1676003			
		WEIGHT	SCALE 2:1			
		CUSTOMER DRAWING	SHEET 1 OF 1 REV BA1			